

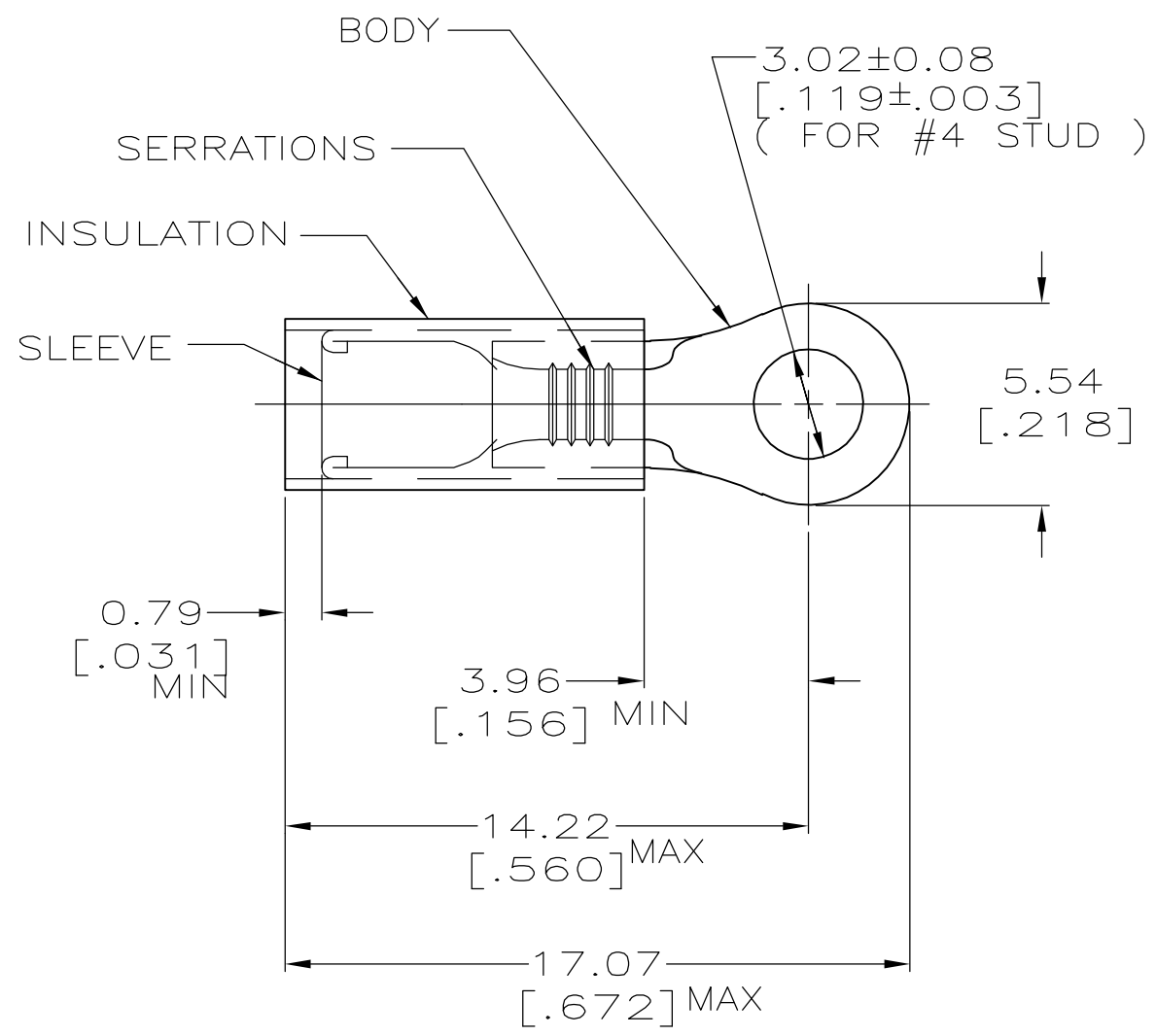
THIS DRAWING IS UNPUBLISHED. RELEASED FOR PUBLICATION  
 © COPYRIGHT - BY TYCO ELECTRONICS CORPORATION. ALL RIGHTS RESERVED.

LOC	DIST	REVISIONS			
P	LTR	DESCRIPTION	DATE	DWN	APVD
G	14				
		K2	REV PER ECR 05-013140	20OCT05	JR TM

**AMP**  
WIRE RANGE

---

18-16 AWG  
STRANDED ONLY



- 1 STAMP " AMP 18-16"
- 2 FOR 1.40 TO 3.43 [.055 TO .135] WIRE INSULATION DIA.
- 3 TONGUE MATERIAL THK: 0.79±0.05 [.031±.002]
- △4 BODY: MATERIAL: COPPER ASTM B152  
FINISH: NICKEL PL. (QQ-N-290)  
0.0076 [.0003] AVG EXT THK.
- △5 SLEEVE: MATERIAL: COPPER ASTM B152  
FINISH: NICKEL PL. (QQ-N-290)  
0.0076 [.0003] AVG EXT THK.
- △6 INSULATION: MATERIAL: TEFLON (ASTM D3295)  
COLOR: ORANGE
- △7 PRELIMINARY - NOT FOR PRODUCTION

5000	ON TAPE	△7 50834-1
1000	LOOSE PIECE	50834
QTY	PACKAGE TYPE	PART NO.

**AMP INCORPORATED**  
CUSTOMER SERVICE SYSTEMS

FOR ADDITIONAL PRODUCT INFORMATION OR COPIES OF DRAWINGS AND TECHNICAL DOCUMENTS  
 PRODUCT INFORMATION CENTER  
 1-800-522-6752

FOR APPLICATION TOOLING INFORMATION  
 TOOLING ASSISTANCE CENTER  
 1-800-722-1111

FOR ORDER ENTRY  
 1-800-526-5142

MAX RECOMMENDED OPERATING TEMPERATURE:  
288°C [550° F]

VOLTAGE RATING:  
300V MAX

CIRCULAR MIL AREA:  
0.81-1.42mm² [1600-2800]  
STRANDED WIRE ONLY

THIS DRAWING IS A CONTROLLED DOCUMENT.

DIMENSIONS: MM [INCHES]

TOLERANCES UNLESS OTHERWISE SPECIFIED:

0 PLC	± -
1 PLC	± -
2 PLC	± 0.20 [.008]
3 PLC	± -
4 PLC	± -
ANGLES	± -

MATERIAL: △4 △5 △6

FINISH: △4 △5 △6

DWN JR RUTH 05JAN99

CHK RE HERSEY 05JAN99

APVD T MICHIELUTTI 05JAN99

PRODUCT SPEC -

APPLICATION SPEC -

WEIGHT -

**tyco** Tyco Electronics Corporation  
**Electronics** Harrisburg, PA 17105-3608

NAME: TERMINAL, PIDG , STRATO-THERM, RING TONGUE, WIRE SIZE: 18-16

SIZE: A3 CAGE CODE: 00779 DRAWING NO: C-50834 RESTRICTED TO: -

CUSTOMER DRAWING SCALE: 5:1 SHEET: 1 OF 1 REV: K2